

# DOOR CONTROL UNIT 3

**MIWA Canada**

Phone - 450 984 1113  
800 724 5904

Fax - 450 984 2831  
800 724 2910

[info@miwacanada.com](mailto:info@miwacanada.com)  
[www.miwacanada.com](http://www.miwacanada.com)

ALV2 (ALVB) series/ Peripherals

# Door Control Unit



## Surface-mount card reader ALV2DCU3.DP/ALVBDCU3.DP

- Reader to be programmed to lock and unlock automatically at predetermined times, set by the property.
- Card reader controller supplies 3V output to Surface-mount reader and 24V output to Magnetic locks, electrified panic bars, electric strikes or other locking device.
- Back up battery is included.(Option)
- ALVB Available with Mobile key option.

**MIWA Canada**Phone - 450 984 1113  
800 724 5904Fax - 450 984 2831  
800 724 2910info@miwacanada.com  
www.miwacanada.com

## Specifications

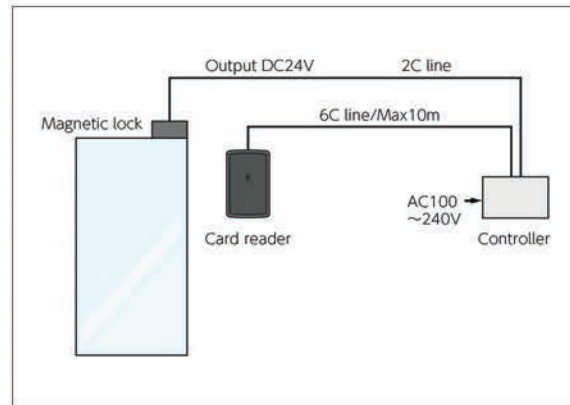
### Surface mount card reader

External dimensions	W76mm× H120mm× D33mm
Weight	270g
Power supply	Supplied from controller
Environmental condition	-5℃~+50℃ / 20~80%RH (No condensation)

### Card reader controller

External dimensions	MPC1 : W330mm×H343mm×D86mm
※ Including a lid size.	MPC2 : W197mm×H311mm×D86mm
Weight	MPC1 : 2.86kg / MPC2 : 2.33kg
Power supply	AC100V/1.5A or AC230V/1.0A
Output	Normal open or close contact 1 relay
Duration of contact	3~18 sec. adjustable
Contact capacity	DC30V / 5A
Environmental condition	Internal installation only 0℃~+50℃ / 20~80%RH (No condensation)

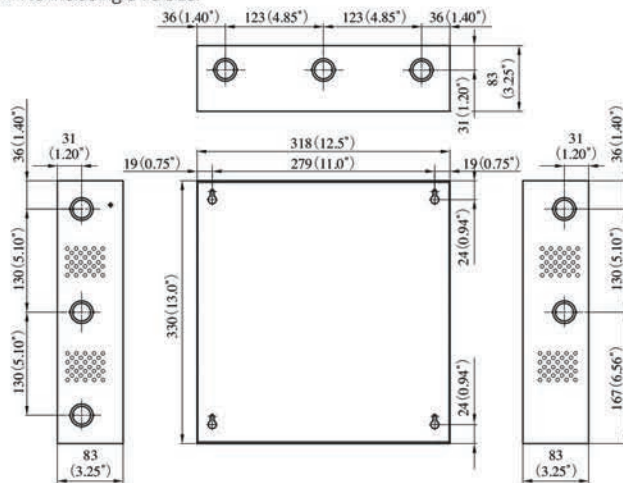
## Diagram



## Detail Drawing

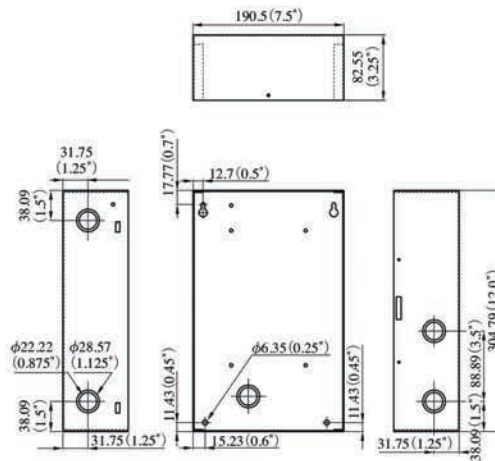
### MPC1(With Battery Space)

※ No Including a lid size.



### MPC2(No Battery Space)

※ No Including a lid size.



### ALV2DCU3.DP ALVBCU3.DP

