

DOOR CONTROL UNIT 2

MIWA Canada

Phone - 450 984 1113
800 724 5904

Fax - 450 984 2831
800 724 2910

info@miwacanada.com
www.miwacanada.com

ALV2 (ALVB) series/ Peripherals

Door Control Unit



Wall-mount card reader
ALV2DCU2.DP/ALVBDCU2.DP

- Exterior card reader to accept guest and staff keys.
- Reader to be programmed to lock and unlock automatically at predetermined times, set by the property.
- Card reader controller supplies 3V output to wall-mount reader and 24V output to Magnetic locks, electrified panic bars, electric strikes or other locking device.
- Back up battery is included.
- Heater kit to be installed in colder climates.
- ALVB Available with Mobile key option.

MIWA Canada

Phone - 450 984 1113
800 724 5904

Fax - 450 984 2831
800 724 2910

info@miwacanada.com
www.miwacanada.com

Specifications

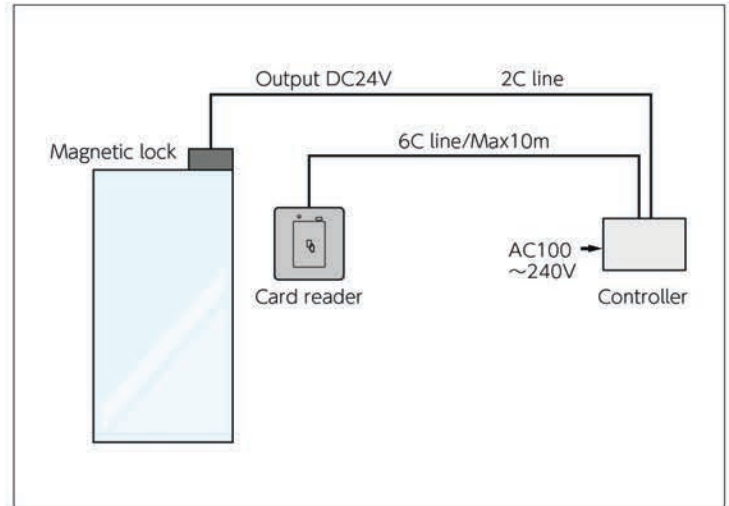
Wall mount card reader

External dimensions	W118mm× H123mm× D24.7mm
Weight	90g
Power supply	Supplied from controller
Environmental condition	-5°C~+50°C/20~80%RH (No condensation)

Card reader controller

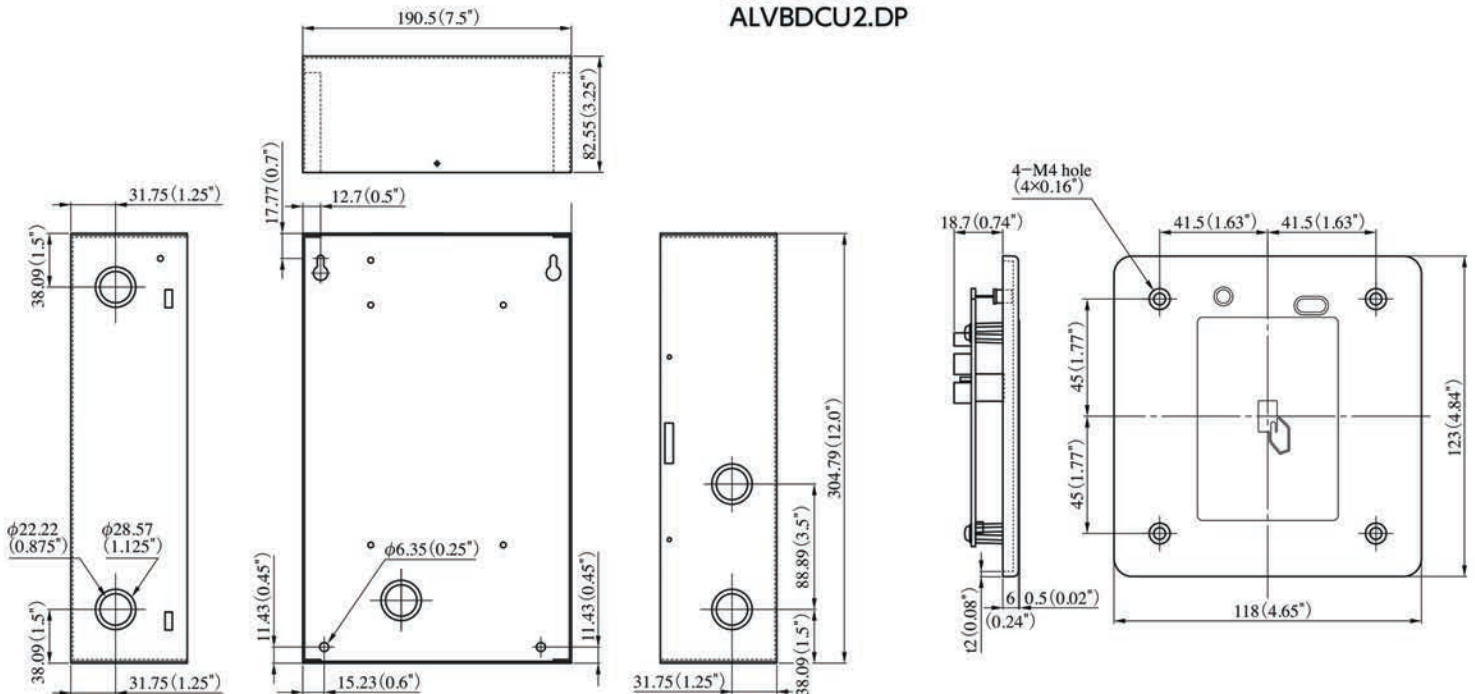
External dimensions	W350mm×H220mm×D103mm
Weight	1.5kg (without back-up battery)
Power supply	AC100V ~ 240V ± 10%
Power consumption	75VA
Output	Normal open or close contact 1 relay
Duration of contact	1~99 sec. adjustable
Contact capacity	DC30V/5A
Environmental condition	Internal installation only 0°C~+50°C/20~80%RH (No condensation)

Diagram



Detail Drawing

ALV2DCU2.DP
ALVBDCU2.DP



MIWA Canada

Phone - 450 984 1113
800 724 5904

Fax - 450 984 2831
800 724 2910

info@miwacanada.com
www.miwacanada.com