

ALV2 (ALV2B) S SERIES – WIDE TYPE

MIWA Canada

Phone - 450 984 1113
800 724 5904

Fax - 450 984 2831
800 724 2910

info@miwacanada.com
www.miwacanada.com

ALV2 (ALVB)-P series/ LOCK (ANSI TYPE)

Handle & Color Variation



ALV2 (ALVB) UPHD476-3 (ST)



ALV2 (ALVB) UPHD66-3 (BS)

The pressed stainless steel escutcheon is available as standard in 5 high-quality finishes.

Type 478 Handle



Type 66 Handle



Type 67 Handle

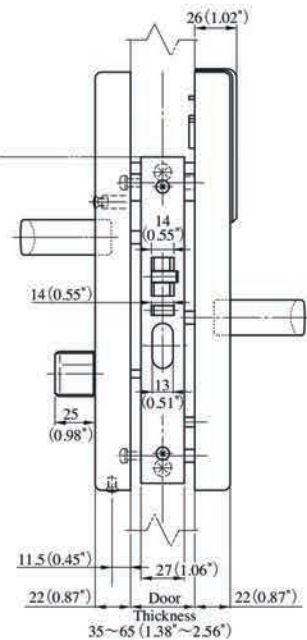
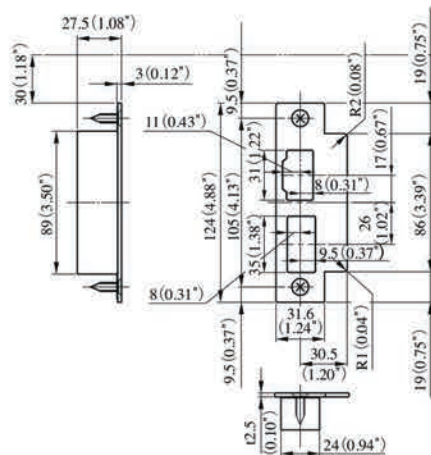
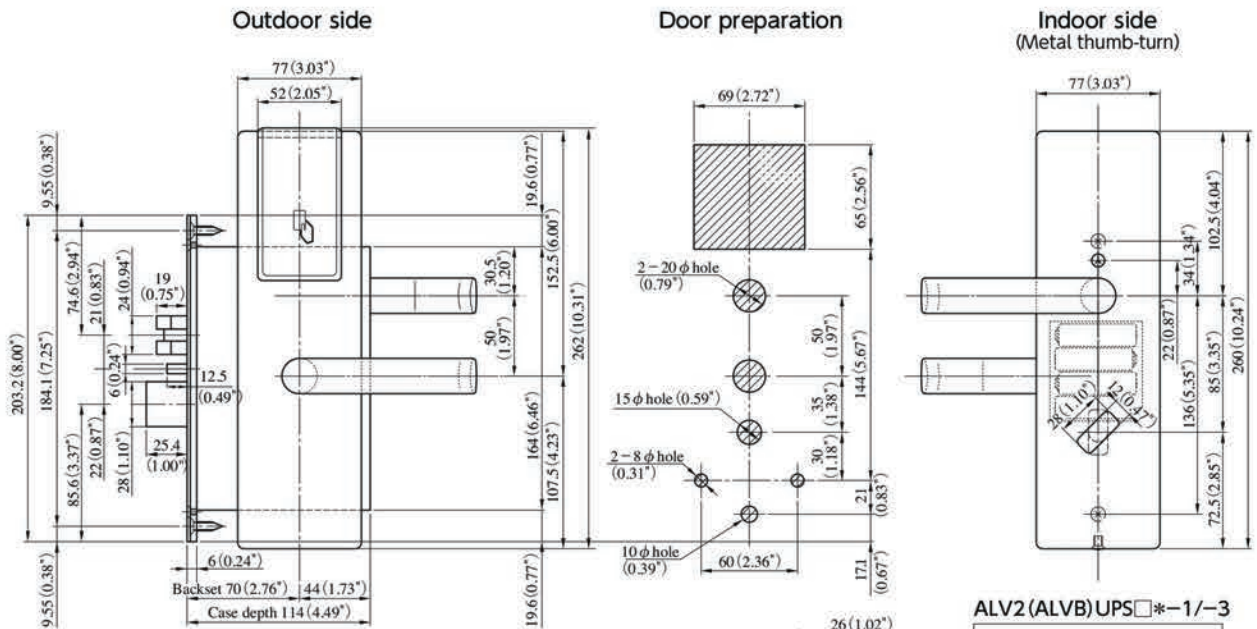


Type 74 Handle

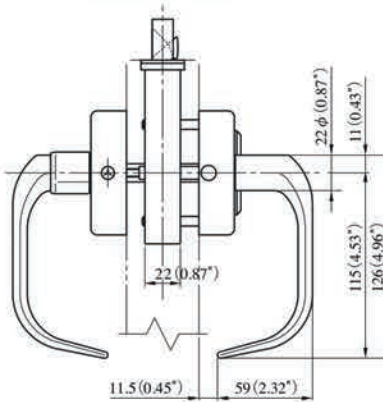
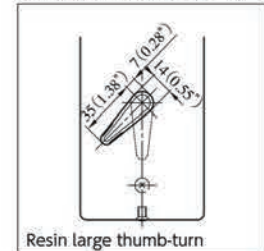


Type 476 Handle





ALV2(ALVB)UPS□* -1/-3



Specifications (ALV2-P/ALVB-P series)

Product Name	Hotel Card Lock
Product Number	with cylinder : ALV2(ALVB)UPH□* -1 without cylinder : ALV2(ALVB)UPH□* -3 □=D : 27mm , G : 32mm *shows a handle symbol
Mountable Handles	66 · 67 · 74 · 476 · 478
Mountable Cylinders	U9
Backset	70mm
Material/Finish	Satin Stainless Steel (ST) Polished Stainless Steel (SB) Satin Brass (BS) Polished Brass (YB) Mid Bronze (CB)
Door thickness	35 ~ 65mm
Usability	Left-hand and right-hand usable (inward opening)
Power Supply	4 AA alkaline batteries
Mobile key	only ALVB is available

Guest Room Lock

Miwa ALV2(ALVB) Electronic hotel locks

- UL tested and stamped.
- Full mortise with 1 inch deadbolt, 3/4 inch latch and anti pick mechanism.
- Dual technology works with RFID Mifare standard 1k and 4k Mifare credentials. Staff cards read, write and record when used.
- Each guest card has the option to add up to 6 additional guest rooms, plus all common areas and special VIP areas.
- Guest cards can be programmed to open an individual lock or multiple rooms or locks within a property. For example meeting areas can be added to the guest card or a club lounge, swimming pool, health club etc.
- System allows the option for guests and staff to use, cards, key fobs or wrist bands.
- Guest and standard staff cards cannot override deadbolt, visual signal given (flashing red light) if deadbolt in use.
- Emergency card overrides all locks where deadbolt is in use.
- Infra red programming and interrogation, no cable connection or data port on the lock.
- Last 600 transaction audit memory in the lock.
- Last 140 transaction audit memory stored on all staff cards.
- ADA compliant levers and thumb-turn.
- Visual and audible low battery signal on staff cards only.
- Powered by 4 standard alkaline batteries.
- Staff cards can be timed and set to operate on chosen days of the week.

Common areas, storage, offices, meeting rooms, non- guest rooms

Miwa ALV2(ALVB) Electronic hotel locks

- Locks can be programmed as common doors and non-guest doors.
- Locks can be programmed so guest cards can only work between set times.
- Locks can be programmed to automatically open between pre-determined times.
- Electronics are coated for exterior installation. (Only PALV2 series is available)
- Exterior Steel and Aluminum Gate Boxes are available.

Mobile Access

- ALVB Lockset available with mobile key option.
- Miwa App available, Apple App store & Google Play.
- ALVB Lockset unlocked by guests mobile phone.
- Mobile key credentials remain on the guests phone for the duration of their reservation.
- Mobile key does not require a network connection.
- Mobile keys can be encoded locally via a BLE encoder.
- Please contact Miwa direct for information on cloud server key distribution.

